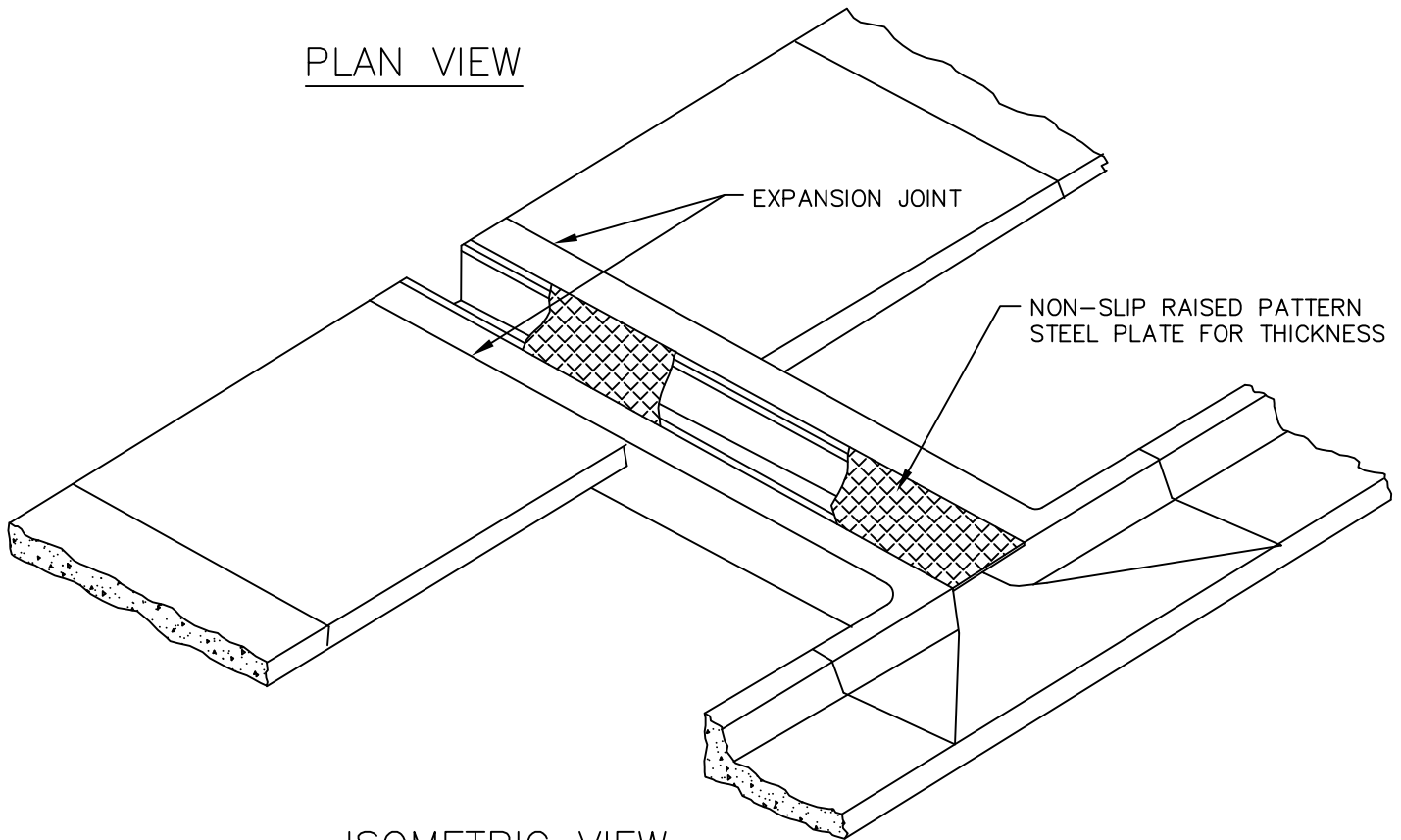


PLAN VIEW

TYPE OF WALK	LENGTH OF PLATE
L ATTACHED	L + 3"
L DETACHED	VARIABLE

NOTES:

1. CHASE IS NOT PERMITTED IN 4" CURB SECTION
2. CHASE SHALL ONLY BE USED WITH APPROVAL OF CITY ENGINEER.



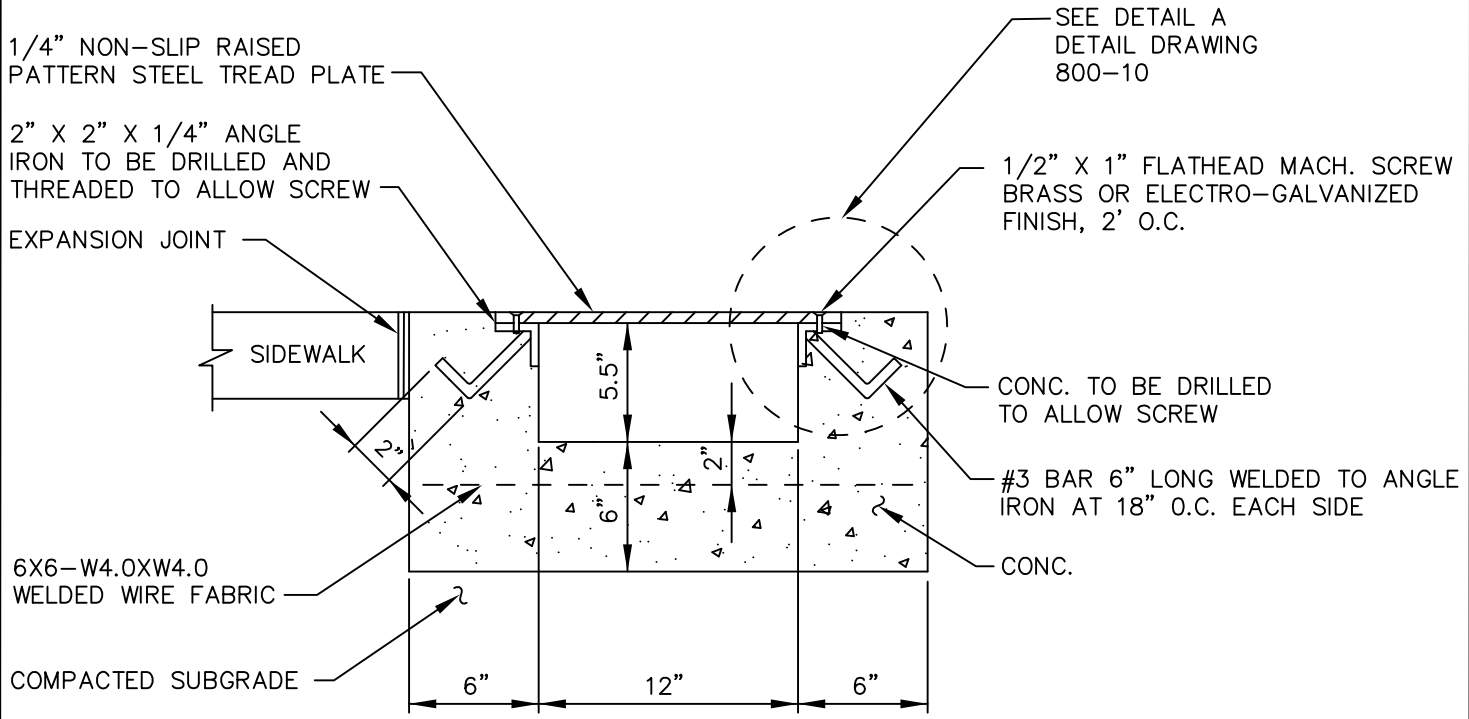
ISOMETRIC VIEW

N.T.S.

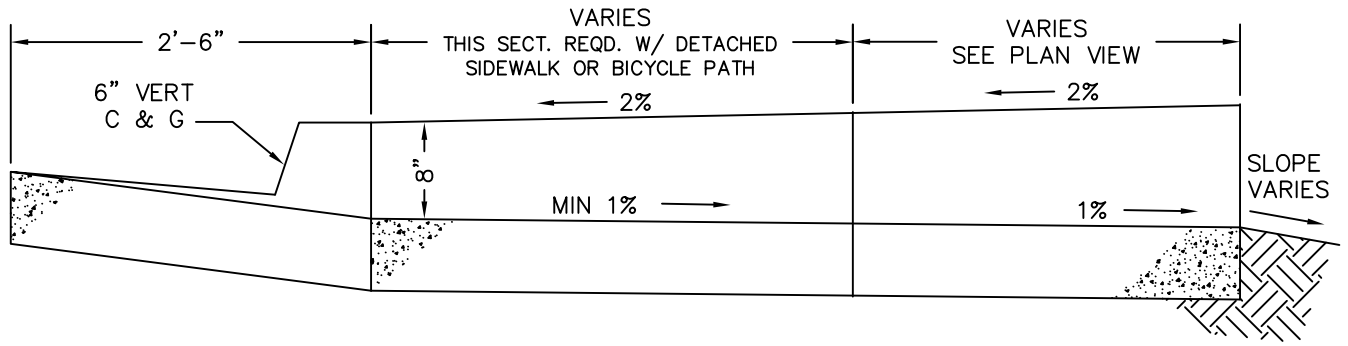


City and County of Broomfield
ENGINEERING DEPARTMENT

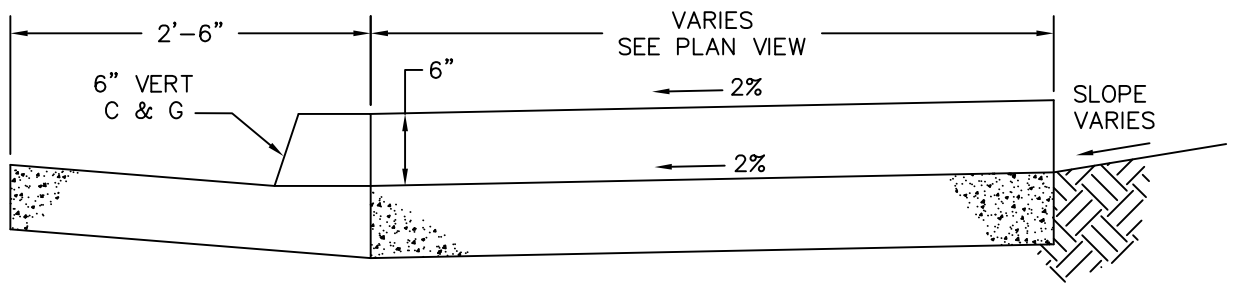
TITLE: SIDEWALK CHASE - 12" OPENING
DETAIL DRAWING NUMBER: 800-8
DATE: 2020



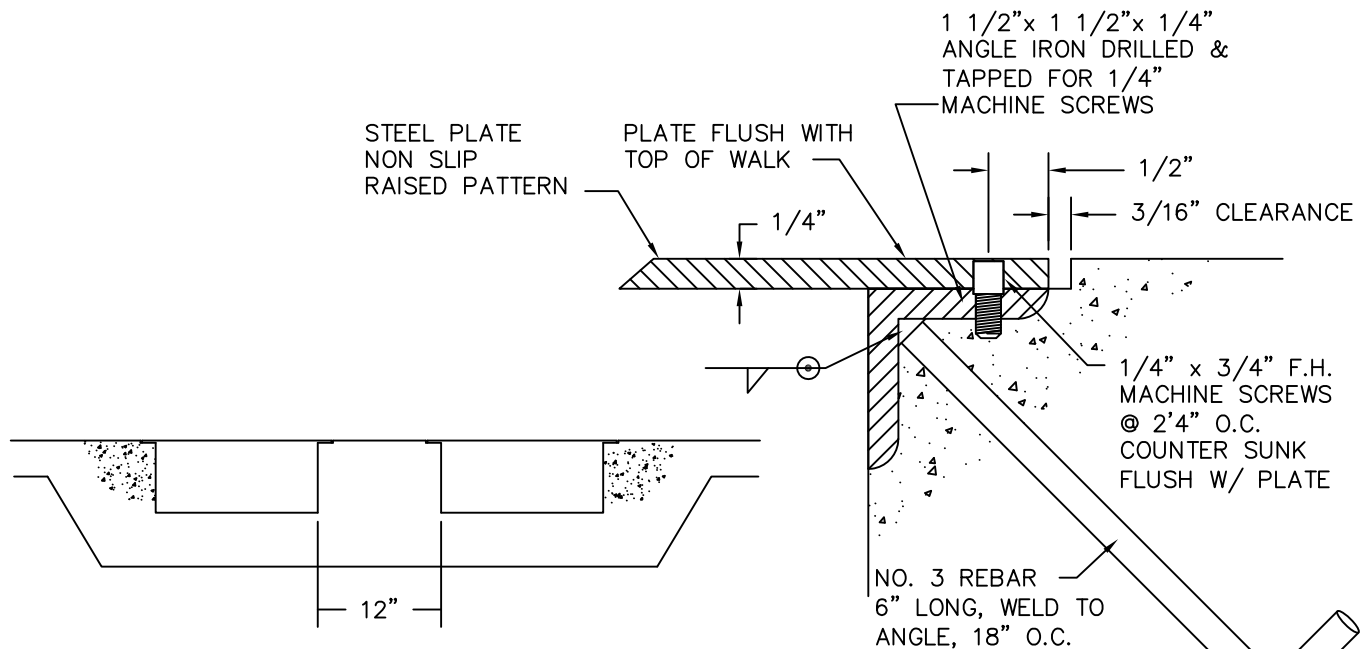
SIDEWALK CHASE DETAIL



FLOW FROM GUTTER



FLOW TO GUTTER



MULTIPLE CHASE
WHEN OPENINGS LARGER THAN
12' ARE REQUIRED

DETAIL A

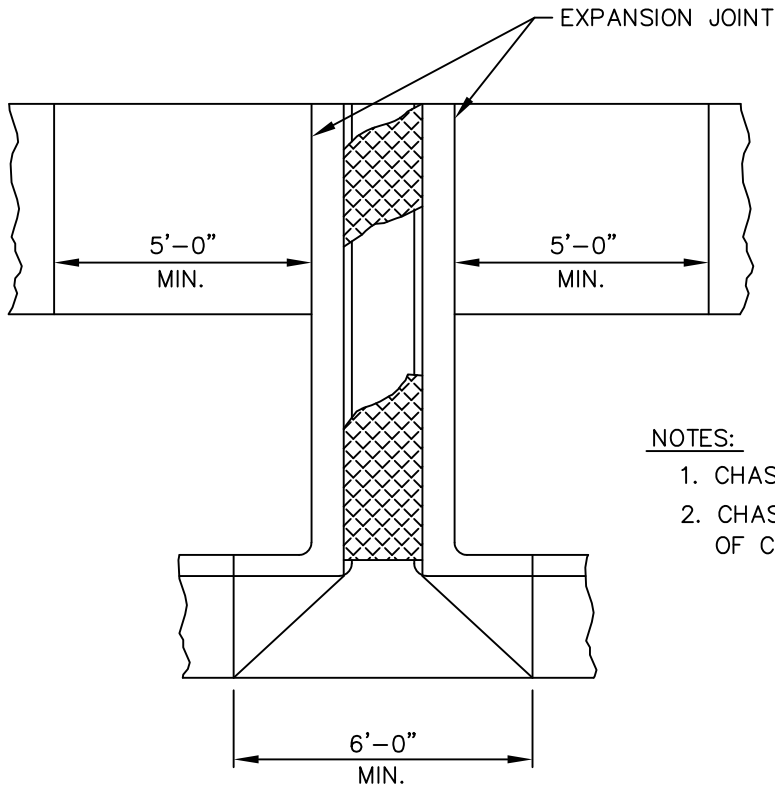


City and County of Broomfield
ENGINEERING DEPARTMENT

TITLE: SIDEWALK CHASE DETAILS

DETAIL DRAWING NUMBER: 800-10

DATE: 2020

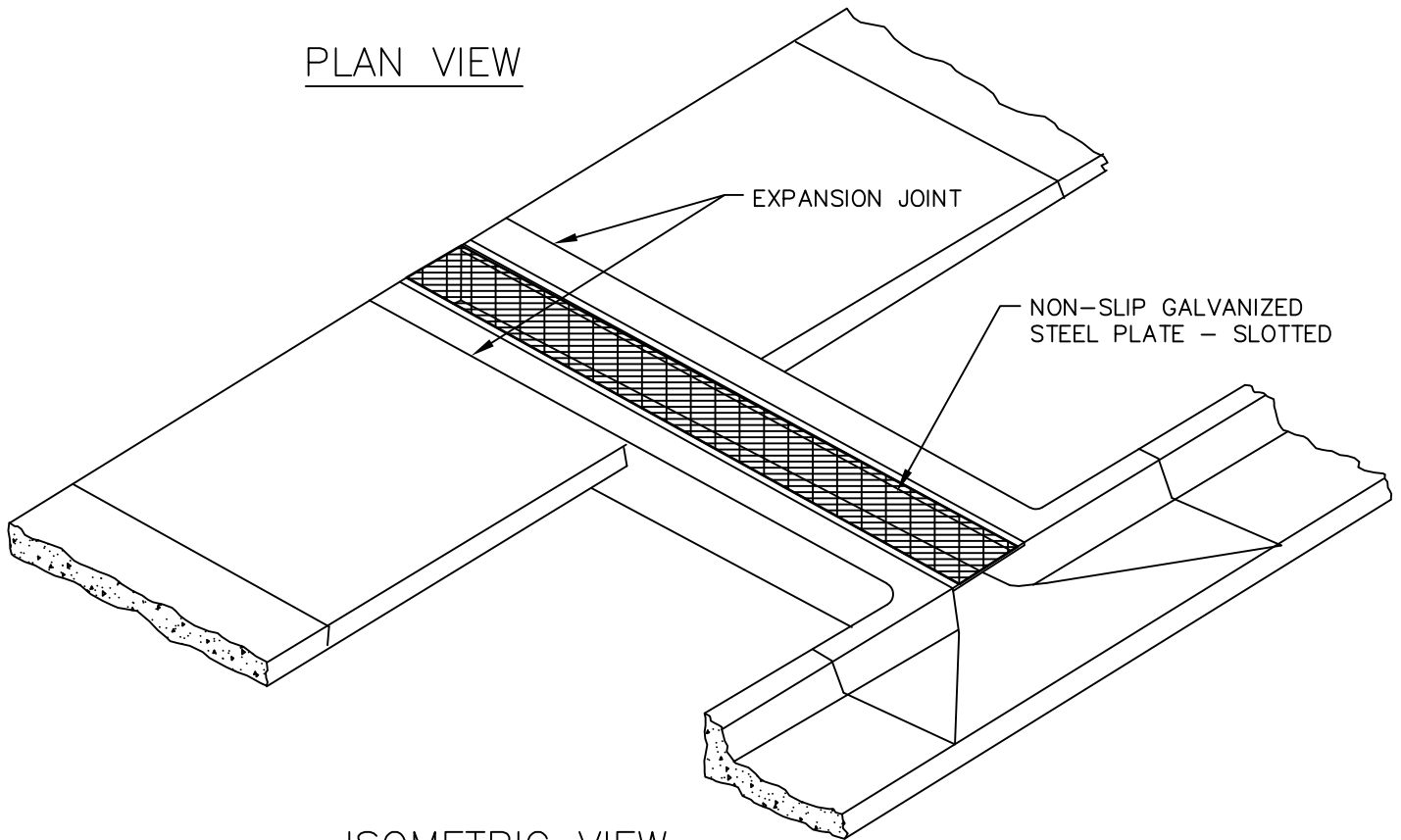


PLAN VIEW

TYPE OF WALK	LENGTH OF PLATE
L ATTACHED	L + 3"
L DETACHED	VARIABLE

NOTES:

1. CHASE IS NOT PERMITTED IN 4" CURB SECTION
2. CHASE SHALL ONLY BE USED WITH APPROVAL OF CITY ENGINEER.



ISOMETRIC VIEW

N.T.S.



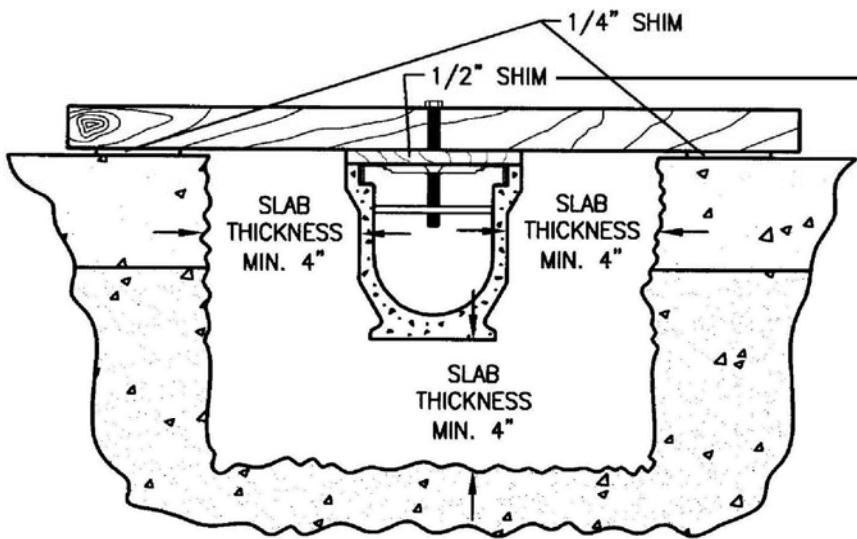
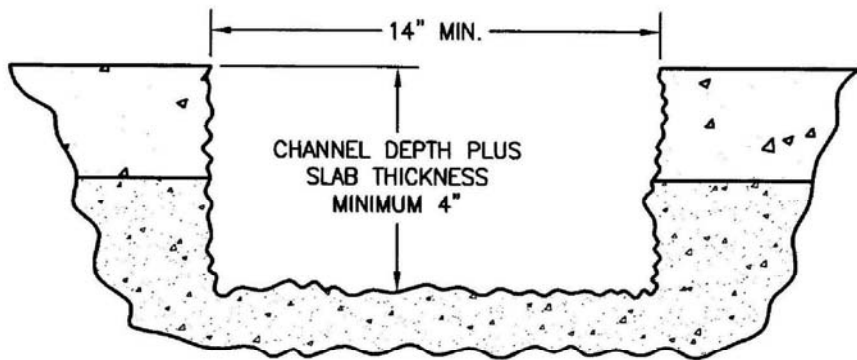
City and County of Broomfield
ENGINEERING DEPARTMENT

TITLE: SIDEWALK CHASE - RESIDENTIAL

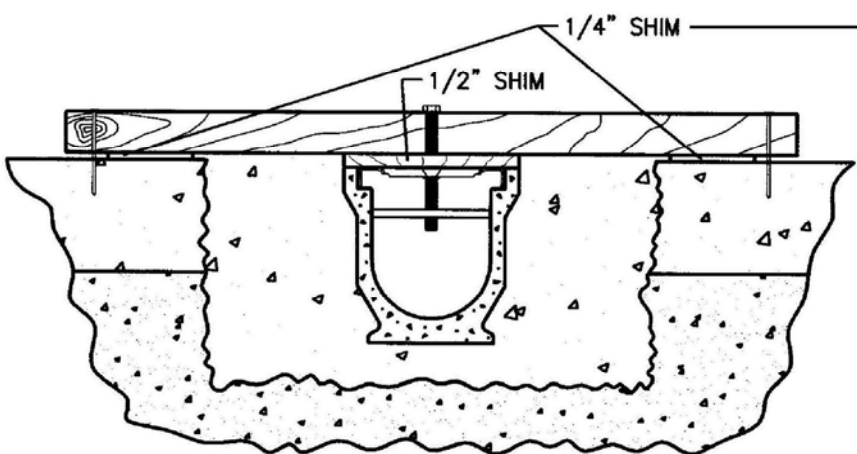
DETAIL DRAWING NUMBER: 800-12

DATE: 2020

Retrofit Installation



NOTE: Use of 1/2" shims at the channel, as illustrated, will help to prevent water ponding adjacent to the drain channels.



NOTE: Use of 1/4" shims at the floor, as illustrated, facilitates concrete finishing.



City and County of Broomfield
ENGINEERING DEPARTMENT

TITLE: SIDEWALK CHASE — RESIDENTIAL
DETAIL DRAWING NUMBER: 800-13
DATE: 2020